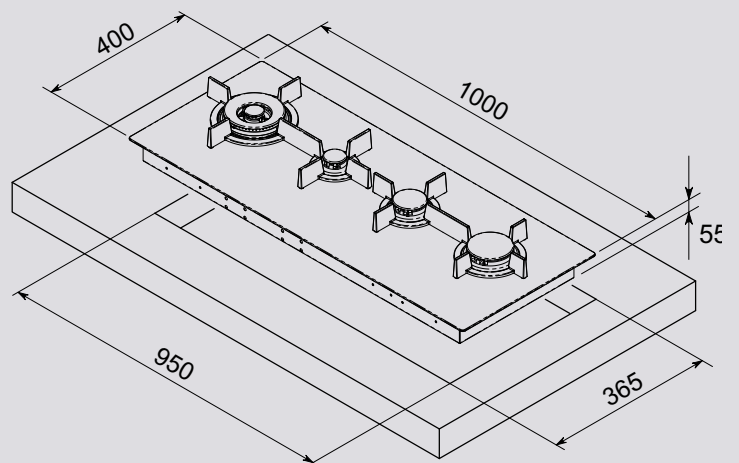


PRODUCT CARD



100

Multiproget Line:	Serie Touch Gas
Multiproget Code:	VDI04VPGC
Security valves	Yes
Surface Material:	Vetroceramic
Pan Supports:	Cast Iron
Serigraphy:	Ink
Type of controls:	Touch Controls
Cook zones:	I Aux 1,00 kW I Semi-Rapid 1,75 kW I Rapid 3,00 kW I Triple Ring 5,00 kW



Functions: Timer / Residual heat indicator / Safety lock / Clock / Automatic stop