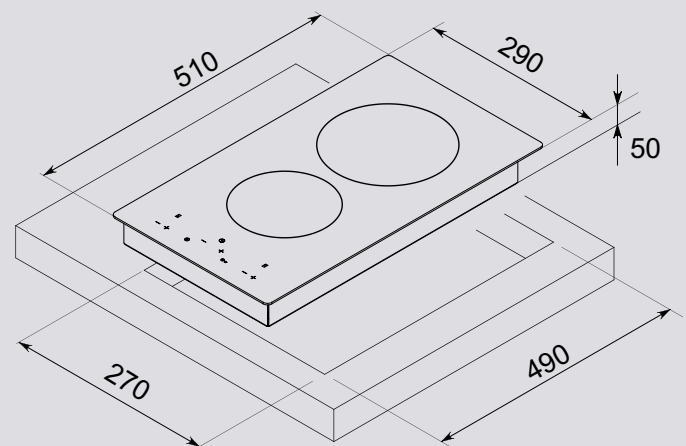


PRODUCT CARD



29

Multiproget Line: Serie Hi-Light
Multiproget Code: VE29CHH
Security valves: -
Surface Material: Vetroceramic
Pan Supports: -
Serigraphy: Ink
Type of controls: Touch Controls
Cook zones: 2 Hi-light zone:
ø145 - 1200 W
ø180 - 1800 W



Functions: Safety lock / Automatic stop / Timer / Residual heat indicator