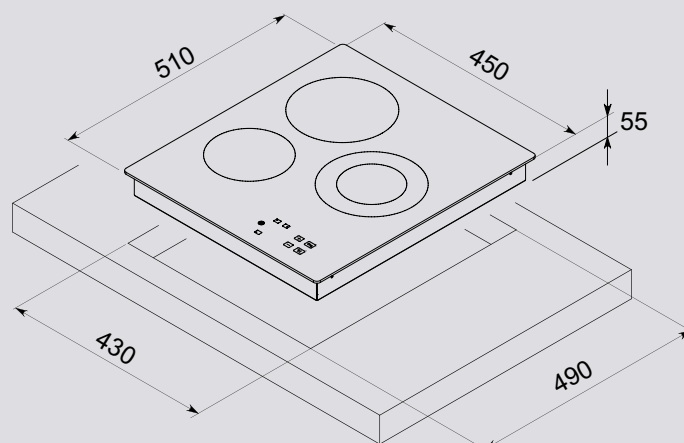


PRODUCT CARD



45

Multiproget Line:	Serie Hi-Light
Multiproget Code:	VE45LHD
Security valves	-
Surface Material:	Vetroceramic
Pan Supports:	-
Serigraphy:	Ink
Type of controls:	Touch Controls
Cook zones:	3 Hi-light zone: ø145 - 1200 W ø180 - 1800 W ø110/180 - 700 W / 1700 W



Functions:	Safety lock / Automatic stop / Timer / Residual heat indicator
-------------------	--