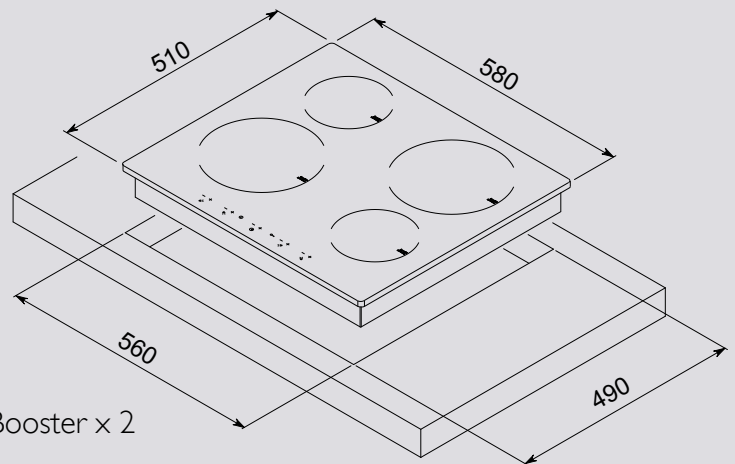


PRODUCT CARD



60

<b>Multiproget Line:</b>	Serie Induction
<b>Multiproget Code:</b>	VI58C37
<b>Security valves</b>	-
<b>Surface Material:</b>	Vetroceramic
<b>Pan Supports:</b>	-
<b>Serigraphy:</b>	Ink
<b>Type of controls:</b>	Touch Controls
<b>Cook zones:</b>	4 Induction zone: ø145 - 1600 W x 2 ø210 - 2000 W / 3000 W Booster x 2



**Functions:** Pot diameter / Automatic stop / Timer / Residual heat indicator / Safe lock